

DC-UPS

UNINTERRUPTIBLE SYSTEMS WITH BATTERY CHARGER AC/DC DIN rail Z-CBD Series



The power supply systems ZUTRONIC Z-CBD series, combined with batteries, can be used to create an uninterruptible supply system.

The battery is connected in parallel to the load to guarantee continuous supply, without interruptions, in case of mains failure

APPLICATIONS

- Auxiliary services of MV electric substations
- PLC industrial automation
- Solenoid valves of hydro power plants
- Fire control units (according to Standard UNI EN 54.4)
- Safety systems

PRODUCT PLUS

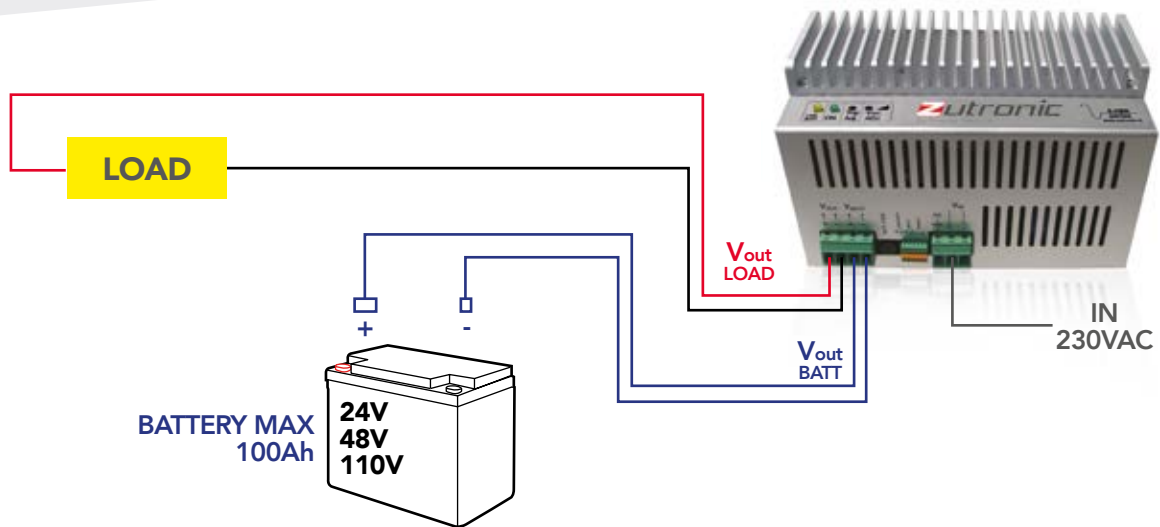
- Wide voltage range
- Galvanic insulation IN/OUT
- Integrated protection battery fuse (types <500W)
- Internal device for battery disconnection (types <500W)
- Battery efficiency test
- Internal decoupling diode (for parallel with other power supply)
- Reverse polarity Vdc output
- Compliance for the UNI EN54.4 Standard (types <500W)

ACCESSORIES

- VRLA batteries (AGM and GEL technology)
- Battery box

TECHNICAL CHARACTERISTICS

	TYPE	DC-UPS
GENERAL	BATTERY TYPE	Suitable for sealed lead acid (VRLA) AGM or Gelled type, with supply the load at the same time
	CHARGING CHARACTERISTICS	IU (according to DIN 41773) – single voltage level
	EFFICIENCY AT 10% LOAD	>80%
	HOLD UP TIME V MAINS (100% LOAD)	IN Vac>150W = >80ms IN Vac<150W = >40ms
	INSULATION VOLTAGE	Input/Output/Ground 2KVac – 50Hz 60s 3KVdc 60s
	ISOLATION RESISTANCE	>100 Mohm
	MTBF	>1.000.000 hours (T amb +25°C) >500.000 hours (T amb +40°C)
	LIFE TIME	>7 years (T amb +25°C)
	PARALLEL/REDUNDANCY OPERATION	Standard
	CURRENT SHARING (PARALLEL MODE OPERATION)	CSA active version (>150W)
	SERIES OPERATION	Std for modules (max voltage 500Vdc)
	NO LOAD OPERATION	Allowed
	COOLING SYSTEM	Natural convection (forced ventilation just for Z751CBD1 e Z1001CBD1), with FCD fan control device
	MECHANICS	Strong anodized aluminium cases with ventilation grids or fans
	PROTECTION DEGREE	IP20
	MOUNTING	DIN 35x15/7,5 rail mounting mm EN50022 Weight 330÷4000 g. (according to power)
OUTPUT	NOMINAL VOLTAGE	12-24-48-110 Vdc
	POWER RANGE	150÷1000W
	RANGE OF SETTING	±10% with setting trimmer
	CORRENT CONTROL	+10% I nom. (+50% short circuit)
	VOLTAGE REGULATION	With variation of: input voltage ±20% = 0,1% load 0÷100% = 0,2% ambient temperature = 0,02%/°C
INPUT	VOLTAGE RANGE	88±264Vac 48±62 Hz <500W 115Vac ±20% or 230Vac ±20% >500W
	INRUSH CURRENT	5x I nomin. 50 ms
	POWER FACTOR	Version <150W = 0,7 Version >150W = 0,95
PROTECTIONS	INPUT	Fuse protection
	OUTPUT	Reverse polarity VDC protection SCP Short circuit protection OVP overvoltage protection
		OVT OVERTEMPERATURE PROTECTION T (from Z151DX): switching off at 90°C internal with automatic restart
AMBIENT	OPERATING AMBIENT TEMPERATURE	-10÷+60°C without "derating" +60÷+70°C, "derating" <2,5% /°C
ALARMS		Types <500W = SPDT contact for "Low battery" on request it can be converted into "Fault" Types ≥500W = SPDT contacts for "Low battery" and "Fault"



MODEL	POWER	INPUT VOLTAGES VAC	OUTPUT VOLTAGES
Z151CBDZ	150W	88 ÷ 264 VAC wide range PFC (Power Factor Correction)	12(13,8) VDC
Z201CBDZ	200W		24(27,6)VDC
Z251CBDZ	250W		48(55)VDC
Z301CBDZ	300W		110(125)VDC
Z351CBDZ	350W		24(27,6)VDC
Z501CBD1	500W		48(55)VDC
Z601CBD1	600W		110(125)VDC

MODEL	POWER	DIMENSIONS (mm) Width x Height x Depth	PESO (g)	CHARACTERISTICS *STANDARD o OPTIONAL			
				D	CEI-016	F	L
Z151CBDZ	150W	200Wx130Hx110D	1800	*	o	o	o
Z201CBDZ	200W			*	o	o	o
Z251CBDZ	250W			*	o	o	o
Z301CBDZ	300W	200Wx130Hx130D	2500	*	o	o	o
Z351CBDZ	350W			*	o	o	o
Z501CBD1	500W	200Wx185Hx130D	3500	*	o	*	o
Z601CBD1	600W			*	o	*	o

* On request also 750W and 1000W types available

D: Output diode for parallel/redundancy coupling.

CEI 0-16: Battery START FUNCTION.

F: SPDT contact for FAULT alarm (replaces the "low battery" alarm on the < 500W types).

L: Tropicalized versions for marine/hars ambient.



Via Gaetano Donizetti, 109/111 - 24030 Brembate Di Sopra (BG) - ITALY
Geller Business Centre - D2 Building

Ph. **+39 035 4379962** Fax **+39 035 592935**
info@zutronic.it - **www.zutronic.it**

